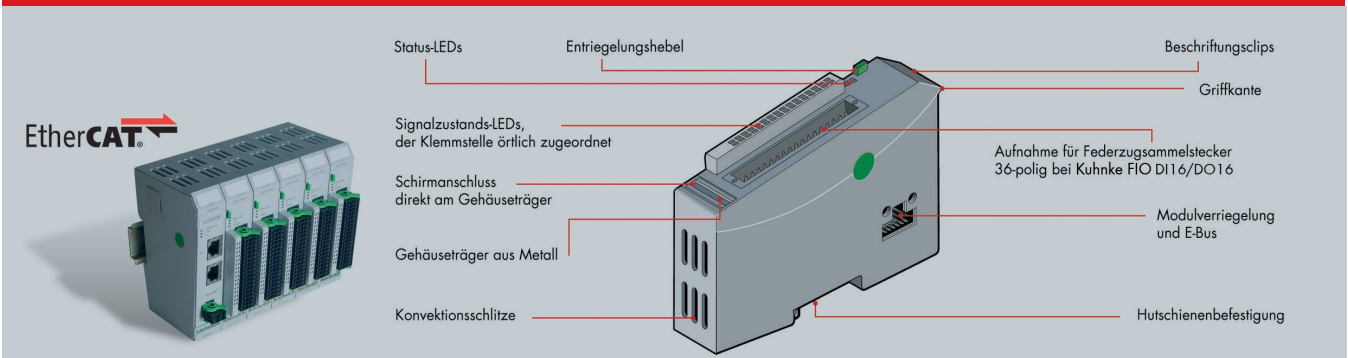


## Kuhnke FIO digital I/Os

## Control Technology



## Technical Data

Type / order no.	Input module 694 451...		Output module 694 452...				In- / Output module 694 450...			
Order number	... 03	... 04	... 01	... 02	... 03	... 04	... 03	... 13	... 02	... 05
Number of digital inputs	16	32	0	0	0	0	16	16 LS	16	8
Characteristics of inputs	24 V, 1ms	24 V, 1 ms	-	-	-	-	24 V, 1 ms	24 V, 1 ms	24 V, 1 ms	24 V, 1 ms
Number of digital outputs	0	0	16	8	8	8	16	16 LS	8	8
Characteristics of outputs	-	-	24 V 0,5 A	24V 1A	Relais NO 24V 2A	Relais NO 230V 2A	24 V 0,5 A	0 V 0,5 A	24 V 1 A	24 V 0,5 A
Fieldbus	EtherCAT® 100 Mbit/s LVDS: E-Bus									
Mounting	35 mm DIN-Rail									
Indication	LED, assigned to the clamping point locally									
Vibration- and shock-resistance	Acc. EN 60068-2-6/ EN 60068-2-27									
Transient emissions	Acc. EN 61000-6-2/ EN 61000-6-4									
Protection class	IP 20									
Shield connection	Directly at module									
I/O connection	Spring- loaded plug with mechanical ejection									
Ambience conditions	0 °C...+55 °C, IP 20, Interference immunity Zone B acc. EN 61131-2									
Housing (W x H x D)	Aluminium, plastic, 25 x 120 x 90 mm									
Certifications	CE, cULus									
Order number	EtherCAT® 100 Mbit/s LVDS: E-Bus									

JP2519

We reserve the rights of modification, omission, error with respect to the products. Illustrations similar. All rights reserved by the individual copyright holders. EtherCAT® is registered trademark and patented technology, licensed by Beckhoff Automation GmbH, Germany. Safety over EtherCAT® is registered trademark and patented technology, licensed by Beckhoff Automation GmbH, Germany. Microsoft®, Windows® and the Windows® Logo are registered trademarks of Microsoft Corporation in the USA and other countries. At [www.plcopen.org](http://www.plcopen.org) you will find more information about PLCOpen Organisation. CODESYS is a product of 3S-Smart Software Solutions GmbH. CIA® and CANopen® are registered community trademarks of CAN in Automation e.V. . PROFINET® is a registered trademark of PROFIBUS and PROFINET International (PI).